

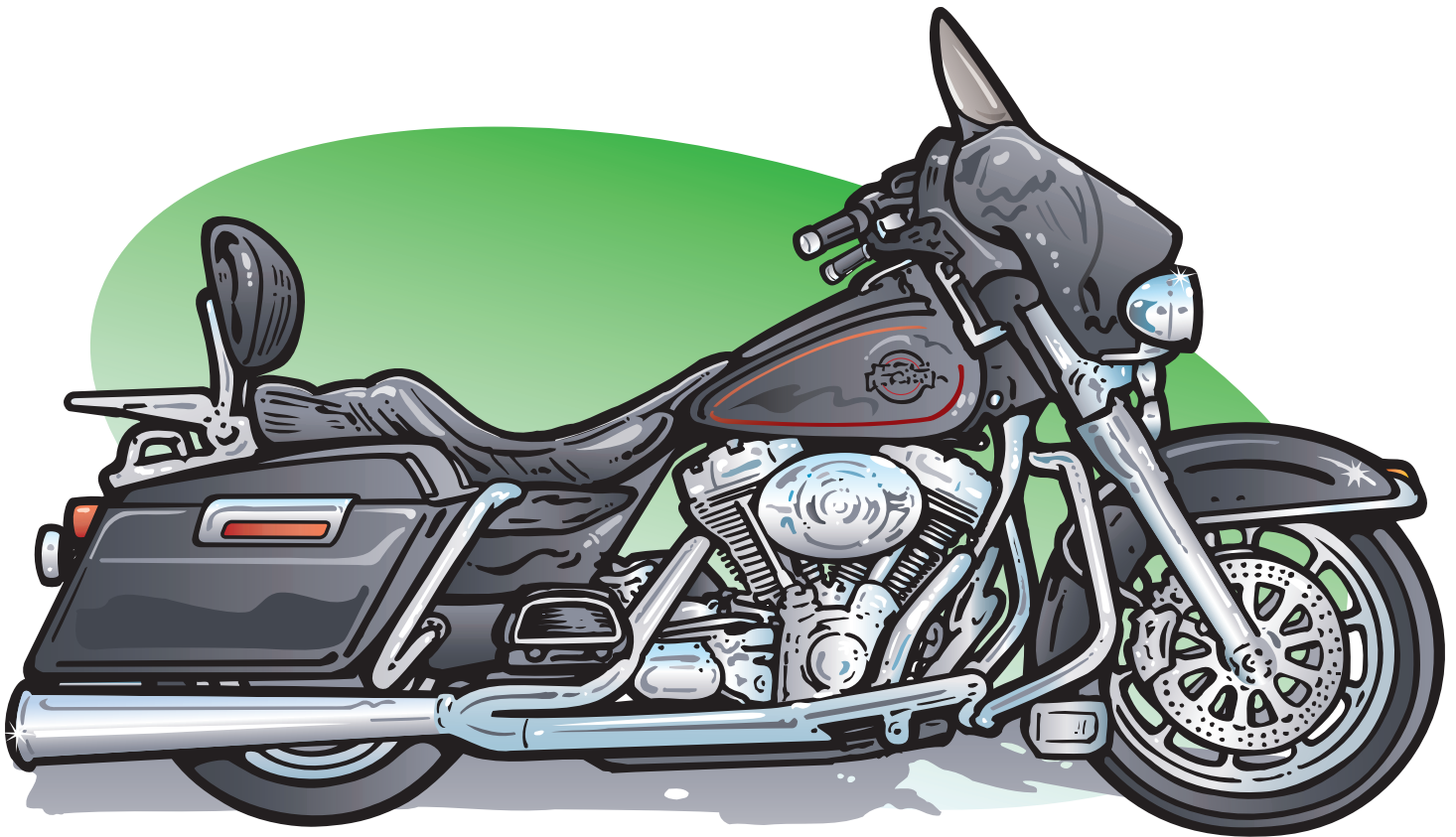


Legend™

AIR SUSPENSIONS

INSTALLATION GUIDE

LEGEND GAUGE BEZEL
FITS HARLEY-DAVIDSON
TOURING MODELS



legendsuspensions.com



MADE IN THE USA

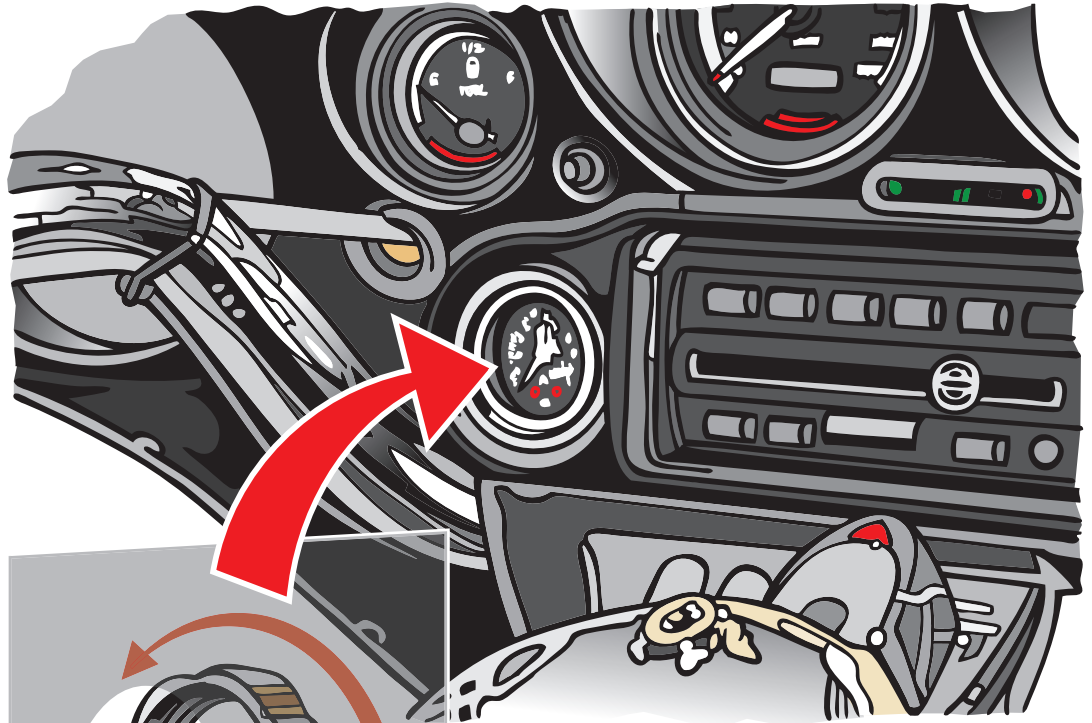
For Technical & Warranty Information: 605.720.4202 or warranty@legendsuspensions.com



1

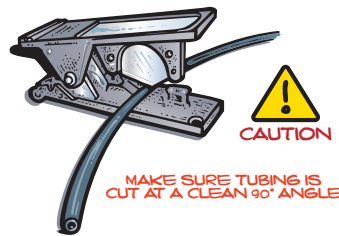
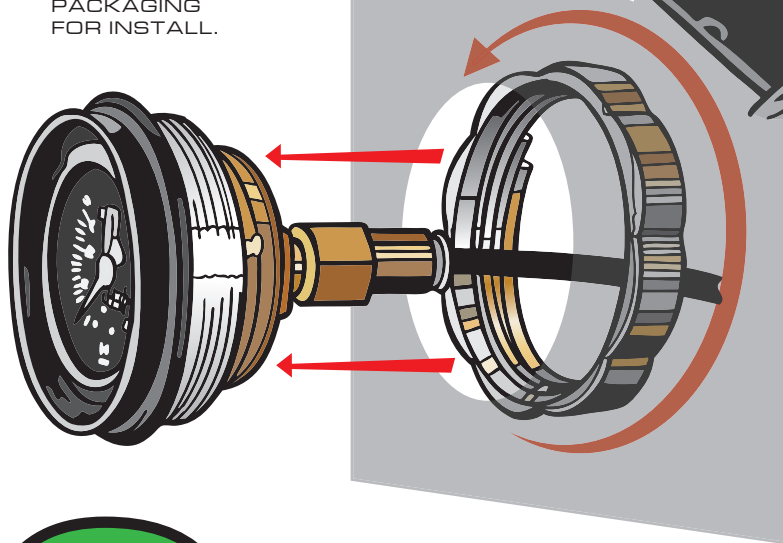
STEP 1: BEZEL MOUNT

- A. REMOVE THE OUTER FAIRING FROM MOTORCYCLE, AND DISCONNECT HEADLIGHT.
- B. REMOVE THE GAUGE OR COVER WHICH YOU WANT TO REPLACE WITH THE LEGEND AIR PRESSURE GAUGE.
- C. INSERT THE LEGEND GAUGE AND SECURE USING LOCK RING AND BLUE LOC-TITE.



NOTE:

HARLEY-DAVIDSON CHROME INSTRUMENT GAUGE BEZEL KIT, PART NO. 74550-92T, FITS LEGEND GAUGE BEZEL. FOLLOW INSTRUCTIONS ON HD 74550-92T PACKAGING FOR INSTALL.



MAKE SURE TUBING IS CUT AT A CLEAN 90° ANGLE

3

STEP 3: OPERATION

- A. ADD AIR TO THE SYSTEM AND MAKE SURE GAUGE IS WORKING.
- B. CHECK FOR AIR LEAKS WITH SOAPY WATER AROUND FITTINGS.
- C. RE-INSTALL SEAT AND OUTER FAIRING.

2

STEP 2: ROUTE AIR TUBING

- A. REMOVE SEAT.
- B. CONNECT AIR TUBING TO THE BACK OF THE LEGEND AIR PRESSURE GAUGE.
- C. ROUTE AIR TUBING OUT OF THE FAIRING FOLLOWING FACTORY WIRING HARNESSES UNDER THE GAS TANK TO THE SEAT COMPARTMENT.
- D. LOCATE AIR TUBING AND Y-FITTING RUNNING TO THE SHOCKS.
- E. USING SUPPLIED Y-FITTING AND AIR TUBING, SPLICE INTO EXISTING AIR SYSTEM.

