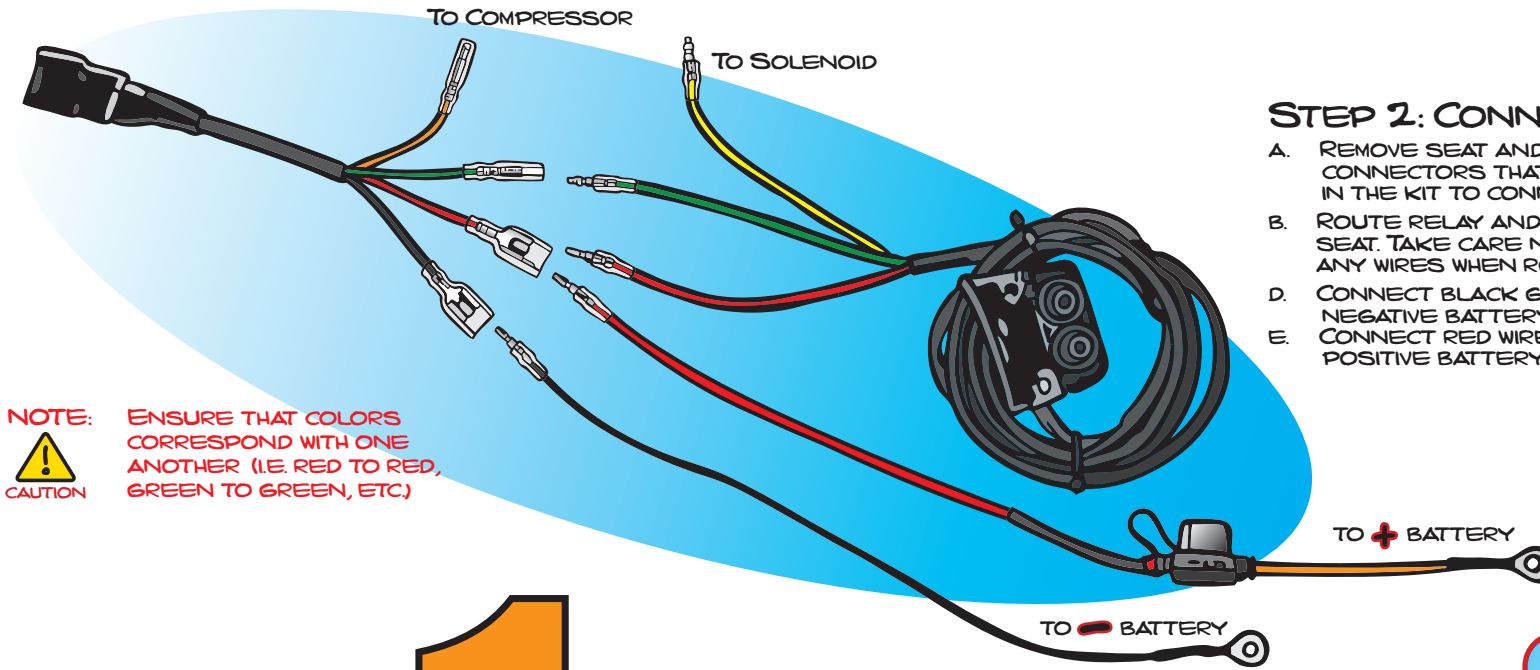




**Legend**  
AIR SUSPENSIONS

# INSTALLATION GUIDE

## Handle Bar Control



**NOTE:** ENSURE THAT COLORS CORRESPOND WITH ONE ANOTHER (I.E. RED TO RED, GREEN TO GREEN, ETC.)



### STEP 2: CONNECT WIRES

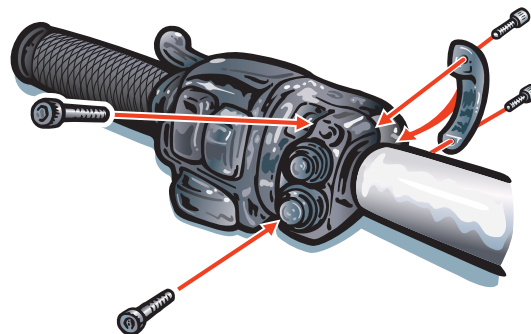
- REMOVE SEAT AND USE BUTT CONNECTORS THAT ARE PROVIDED IN THE KIT TO CONNECT WIRES.
- ROUTE RELAY AND FUSE UNDER SEAT. TAKE CARE NOT TO PINCH ANY WIRES WHEN ROUTING.
- CONNECT BLACK GROUND TO NEGATIVE BATTERY POST.
- CONNECT RED WIRE TO BATTERY POSITIVE BATTERY POST.

# 2

### STEP 1: MOUNTING CONTROL

- REMOVE STOCK CLUTCH LEVER CLAMP AND REPLACE WITH NEW SWITCH HOUSING CLAMP.
- TAKE CARE NOT TO PINCH ANY WIRES WHEN INSTALLING THE SWITCH HOUSING.
- RUN WIRES DOWN THE HANDLE BARS AND UNDER THE GAS TANK.
- INSTALL BACK COVER ON THE SWITCH HOUSING USING BLUE THREAD LOCKER ON SCREWS BEFORE TIGHTENING.

# 1



**NOTE:** HANDLE BAR CONTROL ALSO AVAILABLE FOR TALLER APE HANGER STYLE HANDLEBARS.



[WWW.LEGENDSUSPENSIONS.COM](http://WWW.LEGENDSUSPENSIONS.COM)



MADE IN THE USA

For Technical & Warranty Information: 605.720.4202 or [warranty@legendsuspensions.com](mailto:warranty@legendsuspensions.com)